

Truck Mounted Hydraulic Rotary Rig

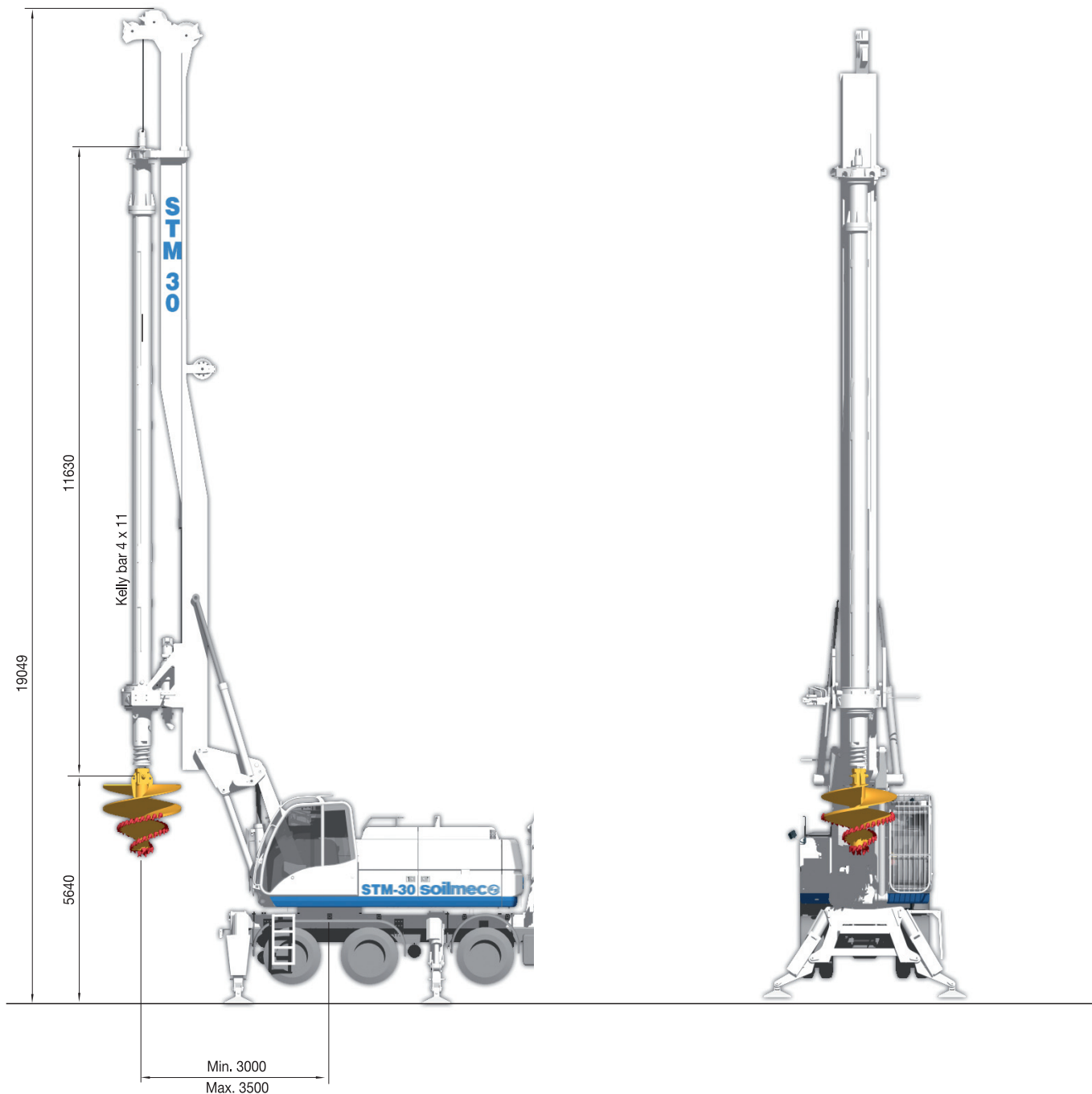
STM-30



soilmeco 
Drilling and Foundation Equipment

STM-30 Truck Mounted Hydraulic Rotary Rig

APPLICATIONS



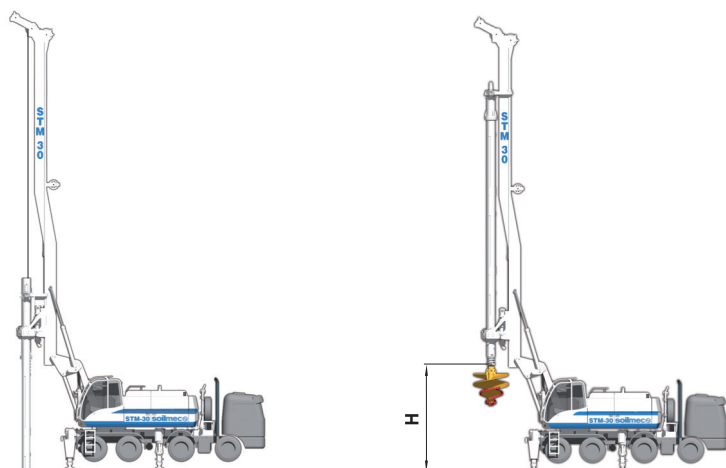
LDP - Large Diameter Piles - CCS version

Operating weight (w/o tool, c/w 4x11 kelly bar)	29200 kg	64400 lb
Max pile diameter in front of the mast	1500 mm	59 in
Max pile diameter below the mast	2200 mm	86.5 in
Max depth	54,5 m	179 ft

STM-30 Truck Mounted Hydraulic Rotary Rig

TECHNICAL DATA SHEET

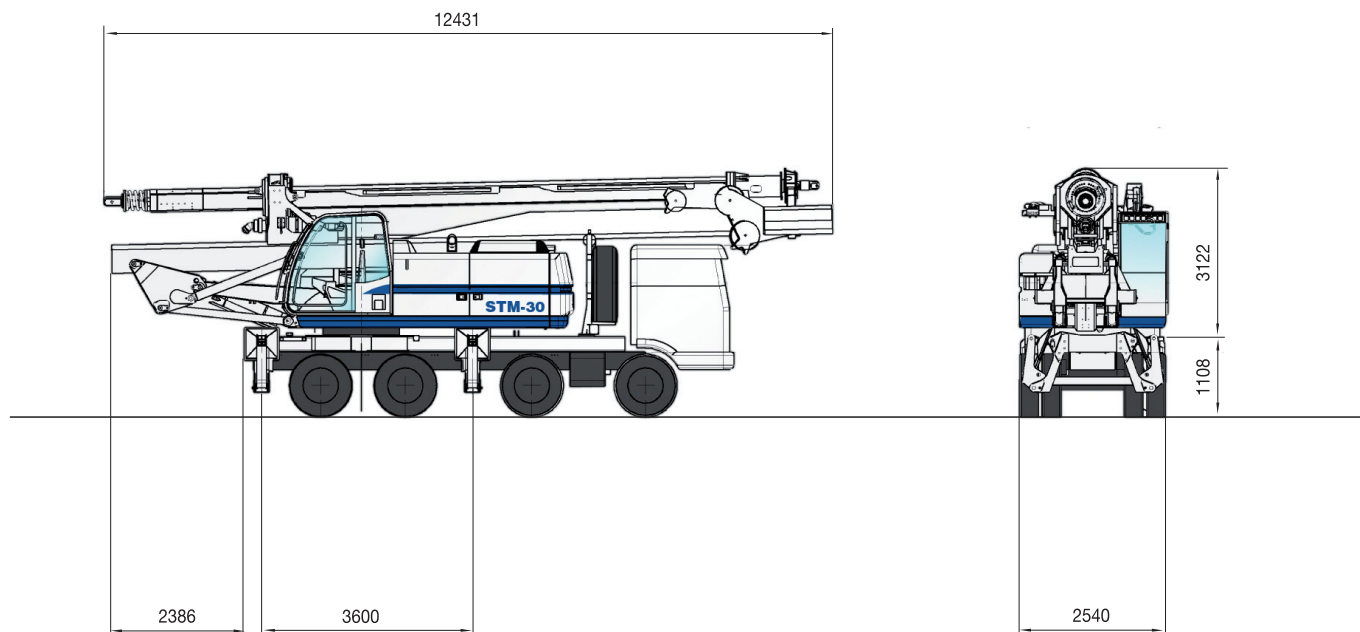
Engine	Cummins QSB6.7	Cummins QSB4.5
- Rated output SAE J1995	164 kW @ 2200 rpm	220 HP @ 2200 rpm
- Engine conforms to Exhaust emission Standard	EU stage III A, US EPA Tier 3	EU stage III A, US EPA Tier 3
- Type	Turbocharged and charge air cooled	Turbocharged and charge air cooled
Rotary Drive - Spinoff type		
- Max torque (<i>intermittent</i>)	130 kNm	95881 lbf*ft
- Rated torque	108 kNm	79655 lbf*ft
- Speed of rotation (max)	42 rpm	42 rpm
- Spinoff speed	153 rpm	153 rpm
Crowd Cylinder system		
- Crowd force pull down / pull up	102 kN / 124 kN	22930 lbf / 27876 lbf
- Stroke	3500 mm	138 in
Main winch	controlled descent	controlled descent
- Line pull (1st layer) nom.	133 kN	22930 lbf
- Rope diameter / Rope length	23 m	75 ft
- Line speed (max.)	79 m/min	259 ft/min
Auxiliary winch	controlled descent	controlled descent
- Line pull (1st layer)	56 kN	12589 lbf
- Rope diameter	16 mm	0.63 in
- Line speed (max.)	83 m/min	272 ft/min
Hydraulic system		
- Flow rates (main circuits)	2 x 176 l/min	2 x 46 US gal/min
Truck chassis type	three axles 6 x 6	three axles 6 x 6
Mast inclination		
- Max drilling rake - front / rear / side	4 ° / 10 ° / ± 3 °	4 ° / 10 ° / ± 3 °
- Levelling capability with outrigger	± 3 °	± 3 °



Depth	Drilling Depths	Kelly dimensions	Depth		Weight		Hcil	
			section x m	m	ft	ton	ton (US)	m
3 parts	BL HD	3 x 9	23,9	78.4	3,4	3.7	6,9	22.6
	BL HD	4 x 9	32,0	105.0	3,3	3.6	7,0	23.0
4 parts	BL HD	4 x 11	38,4	126.0	3,9	4.3	5,6	18.4
	FR HD	4 x 9	32,1	105.3	3,4	3.7	7,0	23.0
5 parts	FR HD	4 x 12	44,5	146.0	4,3	4.7	4,3	14.1
	BL HD	5 x 12	53,8	176.5	5,2	5.7	4,3	14.1
5 parts	FR HD	5 x 10	45,1	148.0	4,4	4.8	6,2	20.3
	FR HD	5 x 12	54,5	178.8	5,2	5.7	4,3	14.1

STM-30 Truck Mounted Hydraulic Rotary Rig

TRANSPORT, DIMENSIONS AND WEIGHTS



Transport with kelly bar 4 x 11

Weight

29000 kg

63934 lb

This brochure has been edited and distributed by SOILMEC Spa. The present document cancels and override any previous ones. This brochure shall not be distributed, reproduced or exhibited without SOILMEC Spa. authorization in accordance with to SOILMEC web site disclaimer condition.

SOILMEC Spa distributes machinery and structures all over the world, supported by SOILMEC Spa subsidiary companies and dealers. The complete Soilmec network list is available on the web site www.soilmec.it

www.soilmec.it

soilmec
Drilling and Foundation Equipment

All technical data are purely indicative and subject to change without notice

Technical data sheet STM30-002 02/2016