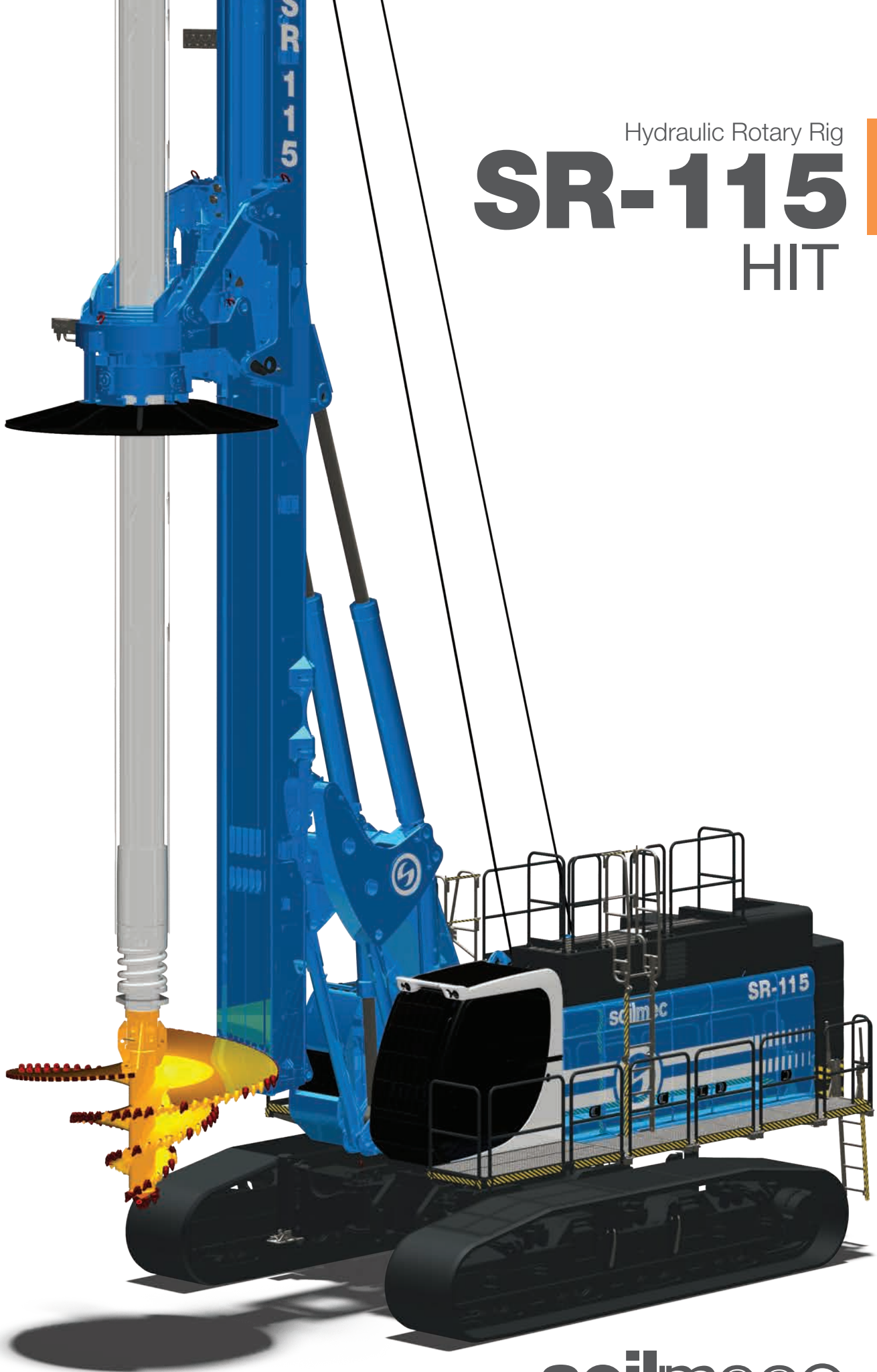


Hydraulic Rotary Rig

SR-115 HIT

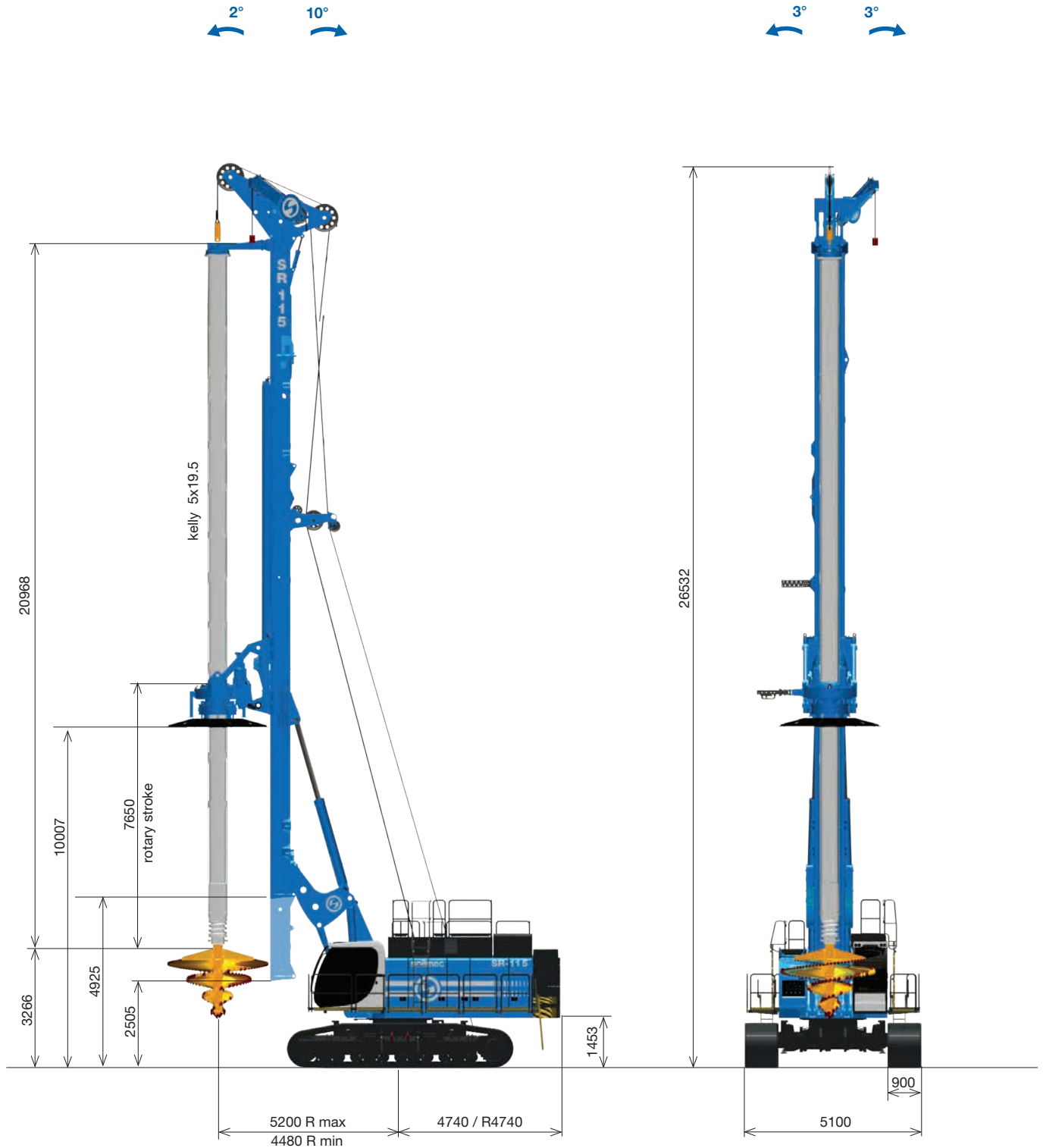
2017



soilmec 
Drilling and Foundation Equipment

SR-115 HIT Hydraulic Rotary Rig

LDP APPLICATIONS - Cylinder crowd system



LDP Large Diameter Piles - CCS version

Operating weight w/o kelly bar	117400 kg	258820 lb
Max pile diameter along mast	2500 mm	98 in
Max pile diameter w/o lower mast section, tool below mast	3000 mm	118 in
Max pile depth - friction kelly	108,4 m	356 ft
Max pile depth - locking kelly	90,3 m	296 ft

SR-115 HIT Hydraulic Rotary Rig

LDP APPLICATIONS - Winch crowd system



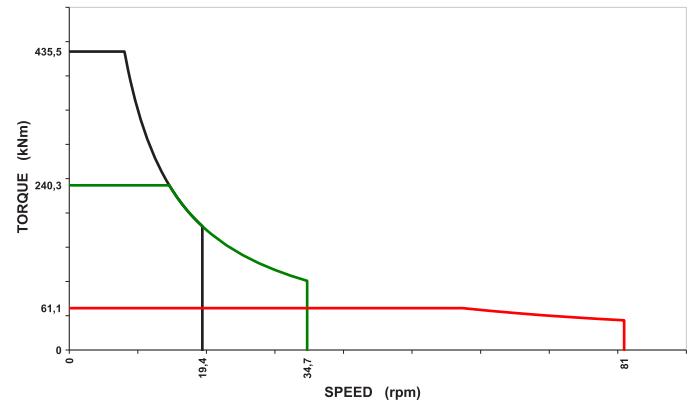
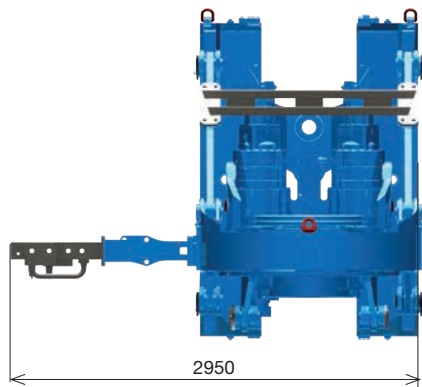
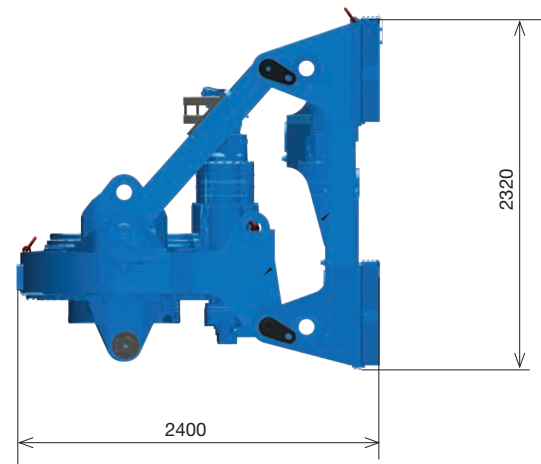
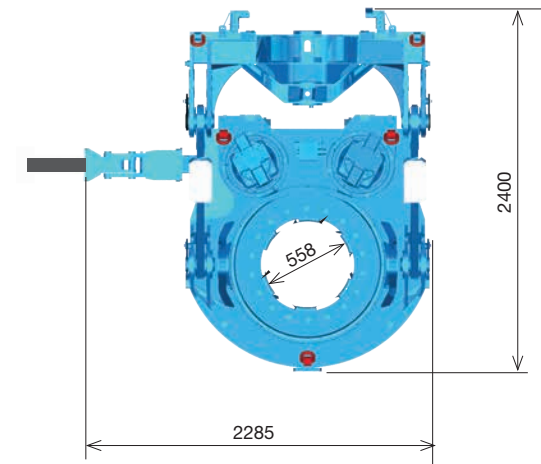
LDP_Large Diameter Piles - WCS version

Operating weight w/o kelly bar	119500 kg	2634450 lb
Max pile diameter along mast	2300 mm	91 in
Max pile diameter w/o lower mast section, tool below mast	3000 (3500*) mm	118 (138*) in
Max pile depth - friction kelly	108,4 m	356 ft
Max pile depth - locking kelly	90,3 m	296 ft

* c/w special kit

SR-115 HIT Hydraulic Rotary Rig

ROTARY TABLE

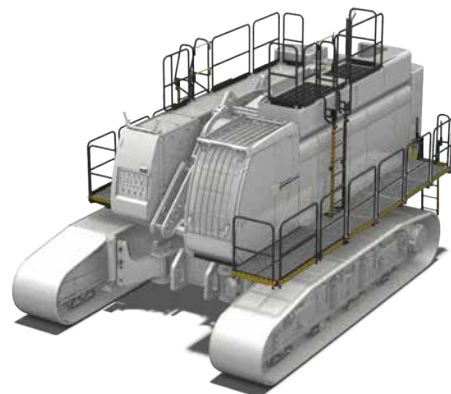


Rotary drive	Multigear version	Multigear version
- Max torque (intermittent)	435 kNm	320834 lbf*ft
- Rated torque	411 kNm	303133 lbf*ft
- Speed of rotation (1 st gear)	19,4 rpm	19.4 rpm
- Speed of rotation (3 rd gear)	81 rpm	81 rpm

SR-115 HIT Hydraulic Rotary Rig

Safety equipment compulsory for EC marking
 On request whenever EC marking is not needed

- Catwalks 900 mm (3 ft) wide
- Ladder and handrails for both access levels
- Acoustic alarm for rotation and translation
- Radio remote control for tramming on ramp
- Video-camera set with 5 cameras included
- Rearview mirrors
- Led lights
- Oil discharge conveying system
- Load cell for service winch



SR-115 HIT Hydraulic Rotary Rig

TECHNICAL DATA SHEET

CCS_Cylinder crowd system		
- Stroke	7650 mm	301 in
- Crowd force pull (down/up)	345 / 412 kN	77558 / 92620 lbf
- Fast speed up/down	20 m/min	66 ft/min
- Slow speed up/down	5,5 m/min	18 ft/min
WCS_Winch crowd system		
- Stroke	19300 mm	760 in
- Crowd force pull (down/up)	540 / 540 kN	121395 / 121395 lbf
- Fast speed up/down	33 m/min	108 ft/min
- Slow speed up/down	8,6 m/min	28 ft/min
Engine		
	CAT C18 Acert	CAT C18 Acert
- Rated output	470 kW @ 1800 rpm	630 HP @ 1800 rpm
- Engine conforms to Exhaust emission Standard	EU stage IV-US EPA Tier4f	EU stage IV-US EPA Tier4f
- Diesel tank capacity	1048 l	277 US gal
Main winch		
	controlled descent	controlled descent
- Line pull (1st layer)	370 kN	83178 lbf
- Rope diameter	34 mm	1.2 in
- Line speed (max.)	67 m/min	220 ft/min
Auxiliary winch		
	controlled descent	controlled descent
- Line pull (1st layer)	132 kN	29674 lbf
- Rope diameter	22 mm	0.9 in
- Line speed (max.)	71 m/min	233 ft/min
Hydraulic system		
- Flow rates (main circuits)	2x 444 l/min	2x 117 US gal/min
- Third pump flow	140 l/min	37 US gal/min
- Hydraulic oil tank capacity	1175 l	310 US gal
Undercarriage		
	variable gauge, telescoping removable sides	variable gauge, telescoping removable sides
- Overall width with retracted crawlers	3400 mm	134 in
- Overall width with extended crawlers	5100 mm	201 in
- Width of triple grouser track shoes	900 mm	35 in
- Overall length of crawlers	6360 mm	251 in
- Traction force effective/nominal	752 kN	169053 lbf
- Travel speed	1,6 km/h	1.0 mph
Mast inclination (Backward/ Forward/Lateral)		
	10°/2°/3°	10°/2°/3°

STANDARD EQUIPMENT

- Rotary table replaceable drive ribs
- Emergency mode of operation for engine
- Main and auxiliary winch controlled descent type with special grooving
- Hoist limit switch on main and service rope
- Swivel for main rope
- Service rope parking point
- GSM/GPRS/GPS modem kit
- DMS system electronic monitoring and visualization system
- Mast inclination measurement on X/Y axes (digital/ analog display)
- Automatic vertical mast alignment
- Depth measuring device
- Rotary speed measuring device
- Rotary power control
- Variably stackable counterweight
- Removable undercarriage
- Variable gauge undercarriage
- Wider triple grouser track shoes
- Transport securing lugs on crawler units
- Oscillator attachment brackets
- Lower foldable mast element
- Cardan joint
- Flange for casing driving
- Kelly swivel
- Kelly guide
- On board lighting set
- On board tool set
- Electric refuelling pump
- High comfortable H-Cab 1050 mm (3,4 ft) wide
- Protective roof grate (FOPS compliant)
- Sliding door
- Adjustable console with sliding support for DMS 12" touch screen
- Engine and Diesel particulate diagnostic panel
- Auto low idle system
- 3 color warning light
- Ergonomic seat with air suspension, fully-adjustable positioning and lumbar support
- Heat and Air Conditioning control unit
- Courtesy lights in the cab
- Radio and CD player

OPTIONAL EQUIPMENT

- Diesel Engine with EU Stage III A - US EPA Tier 3 motorization
- Kit for disassembling undercarriage
- Fiberglass canopies
- Automatic greasing kit
- Lubricator pump kit for rotary pads cradle
- Central lubrication system
- Flange for bucket opening
- Hydraulic prearrangement for casing oscillator
- Mast extension for special configuration
- Mast ladder kit
- Parachute safety kit
- Automatic hydraulic kit for upper mast folding
- Limit switch for rope winding and winches
- Free fall service winch
- Double roller auger cleaner
- Prearrangement for VTH-1

SR-115 HIT Hydraulic Rotary Rig

KELLY DRILLING SYSTEM



Depth	Type	Dimensions	Depth		Weight		CCS SYSTEM		WCS SYSTEM	
			m	ft	t	ton (US)	H		H	
							m	ft	m	ft
3 parts	BL HD	3 x 11	28,6	93.8	7,8	8.6	9,7	31.8	11,7	38.4
	BL HD	3 x 12	32,2	105.6	8,4	9.3	9,7	31.8	10,5	34.4
	BL HD	3 x 13,5	36,1	118.4	9,2	10.1	9,2	30.2	9,2	30.2
	BL HD	3 x 14,5	39,2	128.6	9,8	10.8	8,2	26.9	8,2	26.9
	BL HD	3 x 16	43,2	141.7	10,6	11.7	6,8	22.3	6,8	22.3
	BL HD	3 x 17,5	48,6	159.4	11,4	12.6	5,0	16.4	5,0	16.4
	BL HD	3 x 19,5	53,9	176.8	12,5	13.8	3,3	10.8	3,3	10.8
4 parts	BL HD	4 x 11	38,1	125.0	9,2	10.1	9,7	31.8	11,7	38.4
	BL HD	4 x 12	43,3	142.1	9,8	10.8	9,7	31.8	10,5	34.4
	BL HD	4 x 13,5	48,0	157.5	10,8	11.9	9,2	30.2	9,2	30.2
	BL HD	4 x 14,5	52,5	172.2	11,5	12.7	8,2	26.9	8,2	26.9
	BL HD	4 x 16	57,9	190.0	12,4	13.7	6,8	22.3	6,8	22.3
	BL HD	4 x 17,5	65,0	213.3	13,4	14.8	5,0	16.4	5,0	16.4
	FR/BL HD	4 x 19,5*	72,1	236.5	14,7	16.2	3,3	10.8	3,3	10.8
5 parts*	FR/BL HD	5 x 11*	48,1	157.8	9,9	10.9	9,7	31.8	11,7	38.4
	FR/BL HD	5 x 12*	54,0	177.2	10,7	11.8	9,7	31.8	10,5	34.4
	FR/BL HD	5 x 13,5*	60,4	198.2	11,8	13.0	9,2	30.2	9,2	30.2
	FR/BL HD	5 x 14,5*	65,7	215.6	12,6	13.9	8,2	26.9	8,2	26.9
	FR/BL HD	5 x 16*	72,4	237.5	13,7	15.1	6,8	22.3	6,8	22.3
	FR/BL HD	5 x 17,5*	81,4	267.1	14,8	16.3	5,0	16.4	5,0	16.4
	FR/BL HD	5 x 19,5	90,3	296.3	16,3	18.0	3,3	10.8	3,3	10.8
	FR/BL HD	5 x 11	48,1	157.8	10,5	11.6	9,7	31.8	11,7	38.4
	FR/BL HD	5 x 12	54,0	177.2	11,3	12.5	9,7	31.8	10,5	34.4
	FR/BL HD	5 x 13,5	60,4	198.2	12,5	13.8	9,2	30.2	9,2	30.2
	FR/BL HD	5 x 14,5	65,7	215.6	13,3	14.7	8,2	26.9	8,2	26.9
	FR/BL HD	5 x 16	72,4	237.5	14,5	16.0	6,8	22.3	6,8	22.3
	FR/BL HD	5 x 17,5	81,4	267.1	15,7	17.3	5,0	16.4	5,0	16.4
	FR/BL HD	5 x 19,5	90,3	296.3	17,3	19.1	3,3	10.8	3,3	10.8
6 parts*	FR HD	6 x 16 *	87,6	287.4	15,2	16.8	6,8	22.3	6,8	22.3
	FR HD	6 x 17,5 *	97,9	321.2	16,5	18.2	5,0	16.4	5,0	16.4
	FR HD	6 x 19 *	105,4	345.8	17,7	19.5	3,8	12.5	3,8	12.5
	FR HD	6 x 19,5 *	108,5	356.0	18,1	20.0	3,3	10.8	3,3	10.8

* Rotary head derated

SR-115 HIT Hydraulic Rotary Rig

APPLICATIONS

CFA - Continuous Flight Auger - Quick conversion kit

Max pile diameter	1200 mm	47.24 in
Max pile depth with star auger cleander and with 8,5 m auger extension	27,7 m	91 ft
Max pile depth with auger cleaner, with 8,5 m auger extension	26 m	86 ft

CFA - Continuous Flight Auger - 4° Line pull

Max pile diameter	1200 mm	47,24 in
Max pile depth with star auger cleander and with 8,5 m auger extension	34,5 m	113 ft
Max pile depth with auger cleaner, with 8,5 m auger extension	33,2 m	109 ft

CFA - Continuous Flight Auger - 4° Line pull - Special version

Max pile diameter	800 mm	31.50 in
Max pile depth without auger cleaner, with 8,5 m auger extension	38,5 m	126 ft
Max pile depth with auger cleaner, with 8,5 m auger extension	37,2 m	122 ft

CAP/CSP - Cased Augered & Secant Piles - 4°Line pull

Max pile diameter	1000 mm	39.37 in
Max pile depth without auger cleaner, with 6 m auger extension	28,6 m	94 ft
Max pile depth with auger cleaner, with 6 m auger extension	28 m	92 ft
Max cased depth c/w - w/o auger cleaner	21,8/22,4 m	72/73 ft

DP - Displacement Piles - Quick conversion kit

Max DP pile diameter	800 mm	31,50 in
Max TCT pile diameter	1000 mm	39,37 in
Max pile depth with 8,5 m string extension	26,5 m	87 ft
Max depth c/w lattice boom mast extension	34 m	111.55 ft

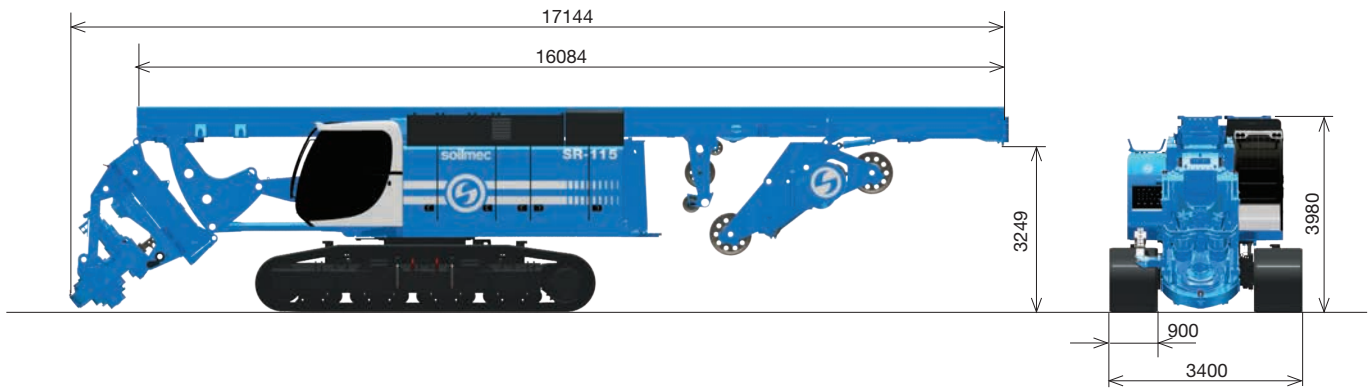
TJ - Turbojet® - Quick conversion kit

Max treatment diameter	1500 (2000 special) mm	59 (79 special) in
Max pile depth with 6 m string extension	24 m	79 ft
Max depth c/w lattice boom mast extension	34 m	111.55 ft

SR-115 HIT Hydraulic Rotary Rig

TRANSPORT, DIMENSIONS & WEIGHTS

All technical data are purely indicative and subject to change without notice



Transport configuration		
- Transport width with/without crawlers	3400 / 3200 mm	134 / 126 in
- Transport length CCS version without rotary	16550 mm	652 in
- Transport height	3980 mm	156,69 in
- CCS Version - Transport weight std - min	83500 / 46100 kg	184084 / 101632 lb
- WCS Version - Transport weight std - min	89800 / 46100 kg	197973 / 101632 lb

Technical data sheet SR115-002 07/2017

This brochure has been edited and distributed by SOILMEC Spa. The present document cancels and override any previous ones. This brochure shall not be distributed, reproduced or exhibited without SOILMEC Spa. authorization in accordance with to SOILMEC web site disclaimer condition.

SOILMEC Spa distributes machinery and structures all over the world, supported by SOILMEC Spa subsidiary companies and dealers. The complete Soilmec network list is available on the web site www.soilmec.it