

The most Compact Spiderlift available. Quick to operate and Easy to Set-up.

The Spiderlift CMC S15 is the most compact of its type: only 3,4 m long and 0,78 m wide. It can pass through single doorways and manoeuvre in the tightest spaces. Impressive height of 15 m and outreach of 7 m is achievable with the full 230kg capacity on basket. Stabilizing area under 8m².

REV 3.17  artimedia

1 TURN KEY



2 MANOUVRE



3 LOWER STABILISERS



4 ELEVATE





Single Doorway width (780 mm)



Towable Transportable



Electro-hydraulic proportional controls



OPTIONAL Hydraulic extending tracks



OPTIONAL Eco Battery



OPTIONAL Kubota Diesel Engine



OPTIONAL Dual Voltage AC Motor



Simple to use

User-friendly, with intuitive 4-step operation from start to working at height.

Power options

Honda GX 390 gasoline engine. As optional: Kubota Z842 diesel engine, electric engine of 220V or 120V or 110V, lithium power batteries with electric motor.

Service friendly

Simple operating system with fault code diagnosis and easy to repair on-site.

Compact

The most compact dimensions of any spiderlift in this height range, including a very small stabiliser footprint.

Versatile

Built with a double pantograph lower boom, articulated upper boom with one telescopic boom extension, plus an articulating jib. With innovative basket design, offers unrivaled performance.

Towable transportable

Low weight and very compact, so suitable to tow on a trailer behind mid-size vans and 4x4 vehicles.



PERFORMANCE

Max working height	14,9 m
Max working outreach	6,9 m
Max load on the basket	230 kg
Jib movement	90°
Turret rotation	± 178° (Tot. 356°)
Basket rotation	N.A.
P Max slope to stabilize	7° / 12%
Tracks enlargement (optional)	0.30 m
W Max ramp slope (attack)	13° / 23%
X Max slope to travel	17° / 30%
Max transversal slope to travel	5,5° / 10%
Max travel speed	0,7 / 1,5 / 1,7 km/h



DIMENSIONS

A Basket height	1,10 m
B Basket width	0,70 m
C Basket length	1,20 m
D Total length	4,12 m
E Total length without basket	3,48 m
F Height in driving position	1,97 m
G Total width (without basket)	0,78 m
H Free height from the ground	0,34 m
I Tracks (LxP)	1,21 x 0,18 m
J Max longitudinal stabilization	2,7 m
K Max cross stabilization	2,7 m
Stabilizers plate Ø	0,18 m



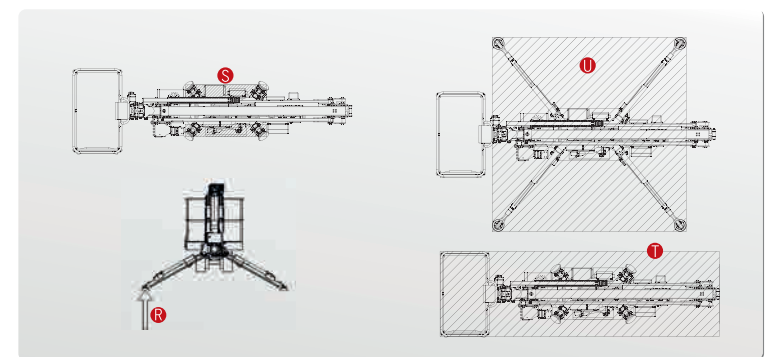
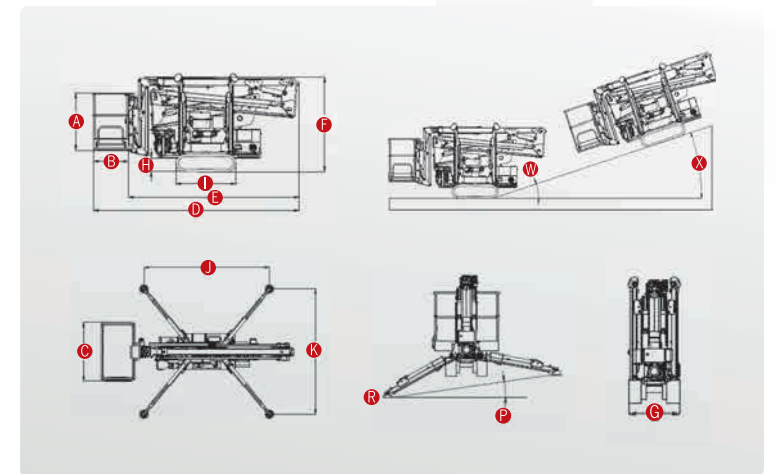
WEIGHTS

Total weight	1.960 kg / 4.321 lb (Honda) 2.060 kg / 4.541 lb (Kubota)
(R) Max pressure on the foot	4,54 kg/cm ² - 44,5 N/cm ²
(S) Max pressure on the track	0,21 kg/cm ² - 2,06 N/cm ²
(T) Max pressure in travel	312 kg/ m ² - 3,06 kN/m ²
(U) Max pressure in work	246 Kg/ m ² - 2,61 kN/m ²



POWER

Standard power	
Gasoline	Honda GX390 (6,0 kW)
Fuel tank capacity	6,1 L



MAX LOAD

230 kg/507 lb

