



S19 HD: a heavy duty crawler lift.

Featuring robust design, BIG horizontal outreach and traditional spider type stabilisers with huge levelling ability. This tracked access platform is ideal for arborists and makes a great alternative to the traditional bucket truck. 200kg capacity on basket.



REV 3.17 artimedia





Single Doorway width (780 mm)



Self-loading System



Double Stabilization Area



OPTIONAL
Kubota Diesel Engine



OPTIONAL
Hydraulic extending tracks



OPTIONAL
S.C.S. (Self Control System)



OPTIONAL
Radio Controlled (only with S.C.S.)



Simple to use

User-friendly, with intuitive 4-step operation from start to working at height.

Power options

Hatz diesel engine. As optional: Kubota Z842 diesel engine or electric engine of 220V or 120V or 110V.

Service friendly

Simple operating system with fault code diagnosis and easy to repair on-site.

Robust

With S19 HD you have no working limits. Designed for difficult ground with maximum safety.

Versatile

Built with one lower riser pantograph and two-telescopic boom extensions. With innovative basket design, offers unrivaled performance.

Towable transportable

Low weight and very compact, so suitable to tow on a trailer behind mid-size vans and 4x4 vehicles.

PERFORMANCE

Max working height	18,7 m
Max working outreach	11,0 m
Max load on the basket	200 kg
Turret rotation	± 360° (Tot. 720°)
Basket rotation (optional)	+90°/-87° (Tot. 177°)
P Max slope to stabilize	15° / 27%
Weight tracks adjustment (optional)	0,40 m
W Max ramp slope (attack)	30° / 57%
X Max slope to travel	17° / 30%
Max travel speed	0,9 / 1,8 km/h

DIMENSIONS

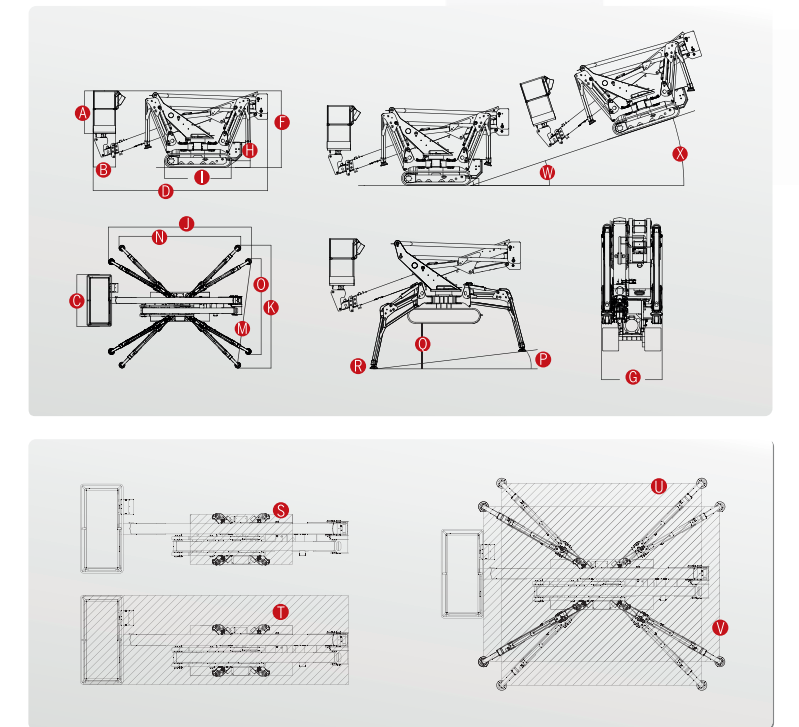
A Basket height	1,10 m
B Basket width	0,60 m
C Basket length	1,40 m
D Total length	4,90 m
F Height in driving position	2,04 m
G Total width (rotated basket optional)	0,95 m
H Height from the ground in driving position	0,18 m
I Tracks (LxP)	1,75 x 0,25 m
J Max longitudinal stabilization	4,20 m
K Max cross stabilization	3,50 m
M Average cross stabilization	3,10 m
N Min longitudinal stabilization	3,50 m
O Min cross stabilization	2,75 m
Q Truck height from the ground	1,10 m
Stabilizers plate Ø	0,18 m

WEIGHTS

Total weight	2.970 kg/6.547 lb (ISB-Hatz)
	3.070 kg/6.768 lb (Moba - Hatz)
R Max pressure on the foot	7,07 kg/cm ² - 69,4 N/cm ²
S Max pressure on the track	0,17 kg/cm ² - 1,67 N/cm ²
T Max pressure in travel	600 kg/m ² - 5,85 kN/m ²
U Max pressure in work (4 feet open pos.2)	214 kg/m ² - 2,10 kN/m ²
V Max pressure in work (4 feet open pos.1)	234 kg/m ² - 2,30 kN/m ²

POWER

Standard power	
Diesel	Hatz 1D81C (9,6 kW)
Fuel tank capacity	10 L



MAX LOAD

